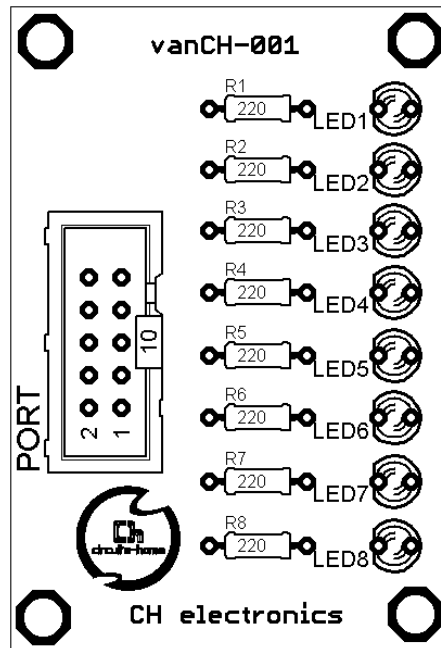
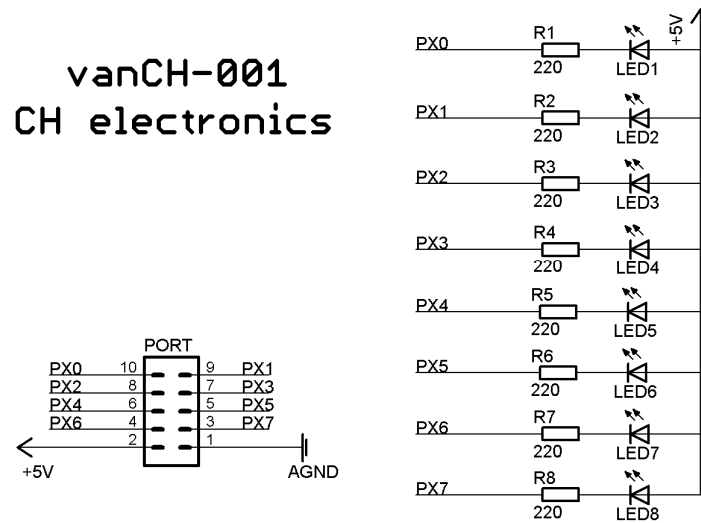


DESKRIPSI PIN MODUL vanCH-001 *Light Emitting Diode (LED)*



Gambar 1. Modul vanCH-001 (LED)



Gambar 2. Skematik modul vanCH-001 (LED)

CH electronics | www.circuits-home.com