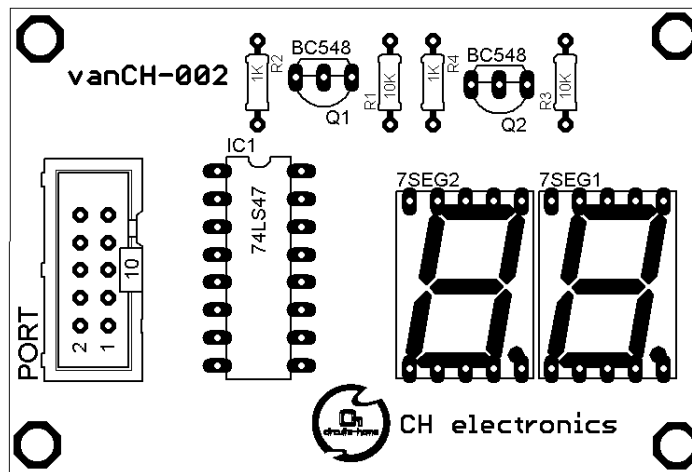
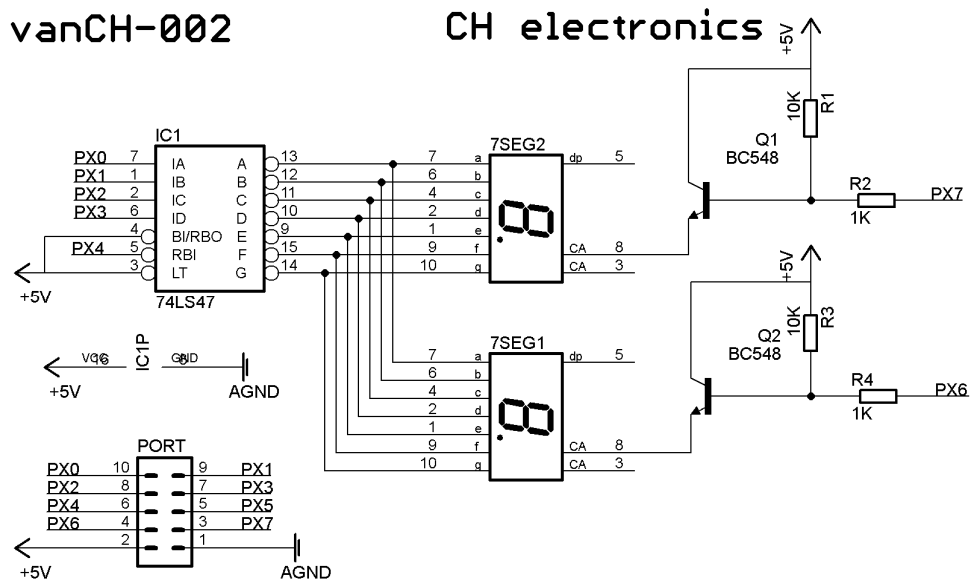


DESKRIPSI PIN MODUL vanCH-002

Seven Segment



Gambar 1. Modul vanCH-002 (*seven segment*)



Gambar 2. Skematik modul vanCH-002 (*seven segment*)

CH electronics | www.circuits-home.com