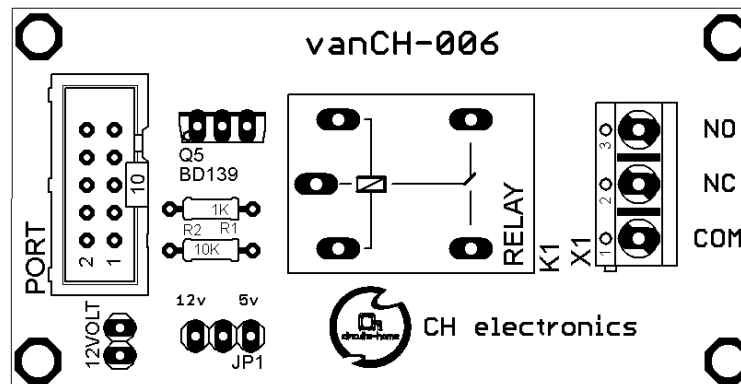
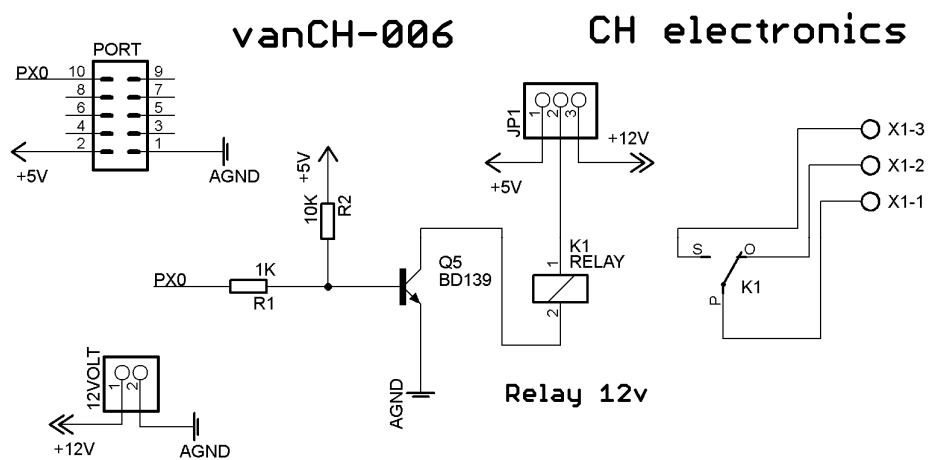


DESKRIPSI PIN MODUL vanCH-006 Relay 12 volt - *Single switch*



Gambar 1. Modul vanCH-006 (relay 12v)



Gambar 2. Skematik modul vanCH-006 (relay 12v)

CH electronics | www.circuits-home.com