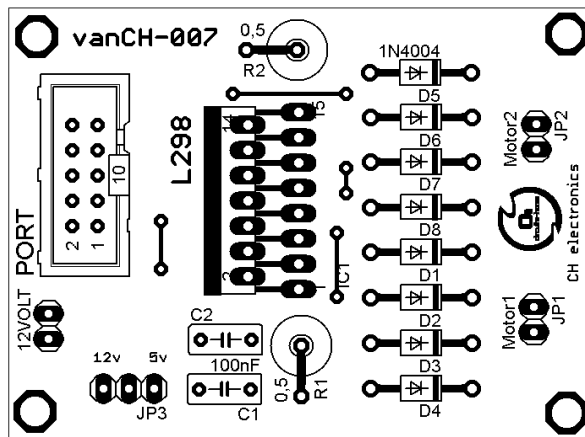
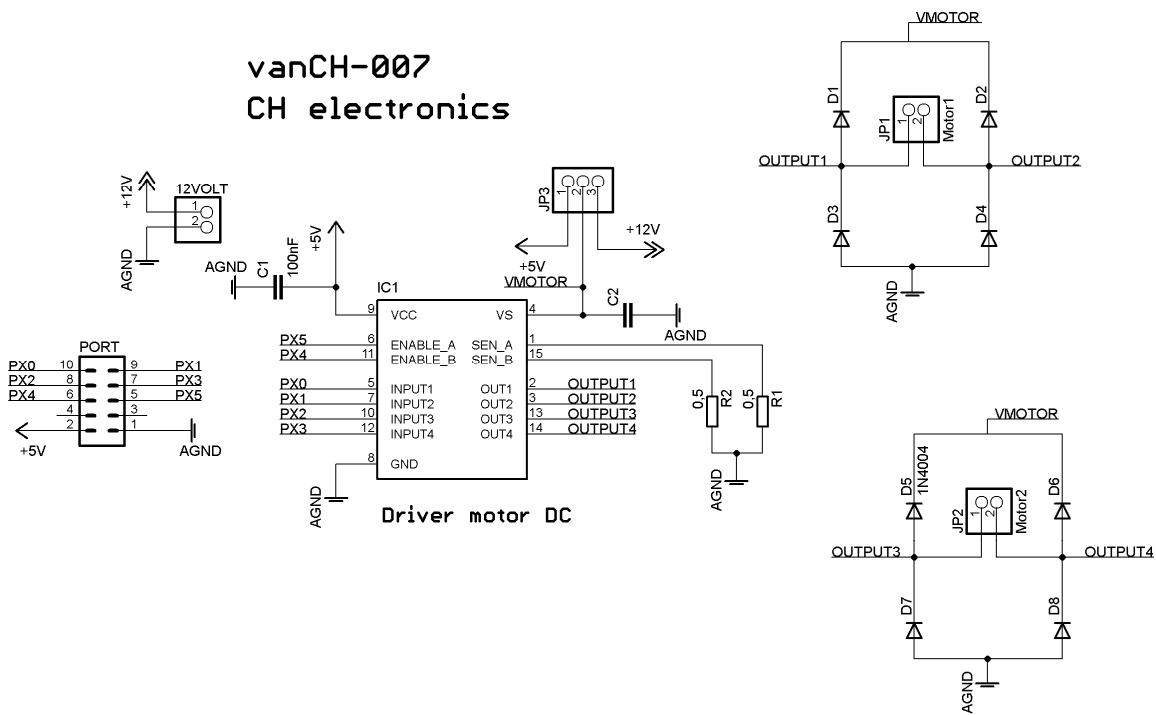


DESKRIPSI PIN MODUL vanCH-007 Driver Motor DC - L298



Gambar 1. Modul vanCH-007 (driver motor DC - IC L298)



Gambar 2. Skematik modul vanCH-007 (driver motor DC - IC L298)