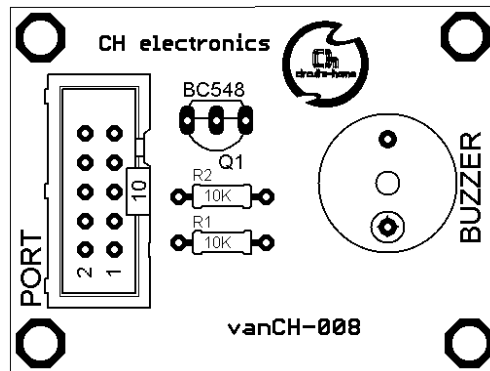
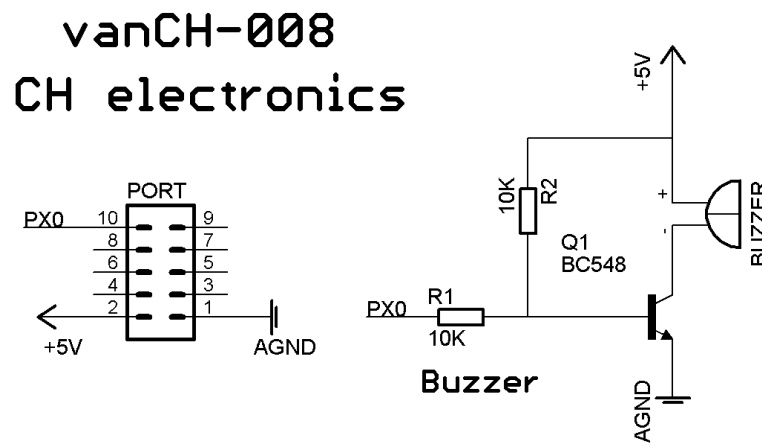


DESKRIPSI PIN MODUL vanCH-008 Buzzer



Gambar 1. Modul vanCH-008 (*buzzer*)



Gambar 2. Skematik modul vanCH-008 (*buzzer*)