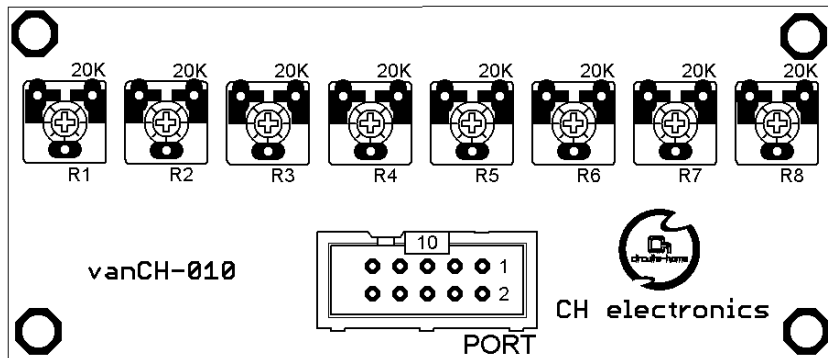
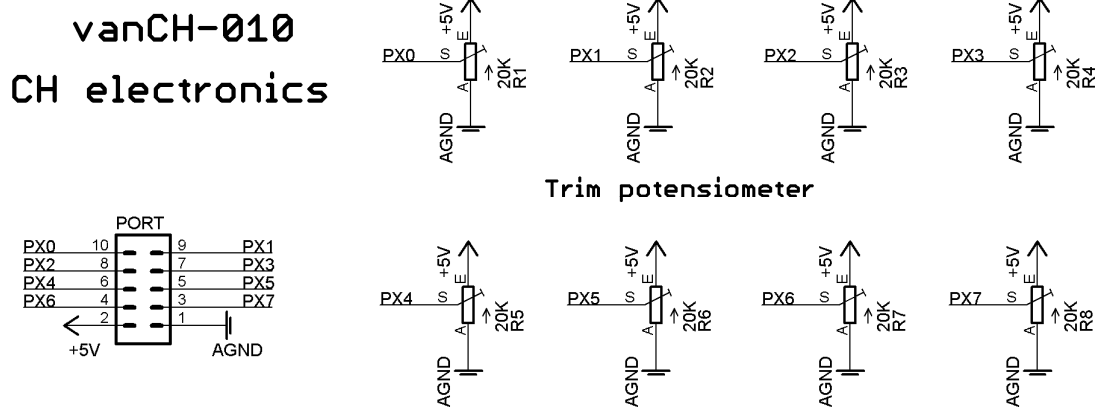


DESKRIPSI PIN MODUL vanCH-010

Variable Resistor (Trimpot)



Gambar 1. Modul vanCH-010 (trimpot)



Gambar 2. Skematik modul vanCH-010 (trimpot)